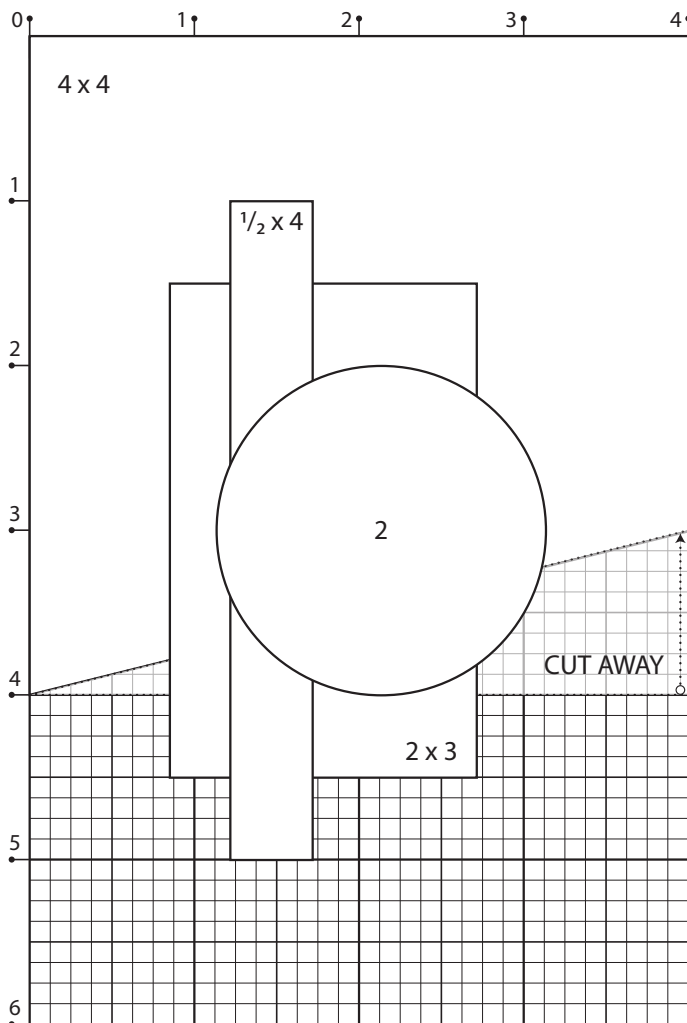


CARD SKETCH CHALLENGE 2022

34



PATTERN



SERVING SUGGESTION

GENERAL NOTES

- The overall card size used in this example is 4 inches wide by 6 inches tall.
- Grid lines are shown at every 1/8th inch.
- Sizes of individual elements are listed on the pattern in inches as width x height.

YOUR NOTES

- Use the area below to keep a note of ideas for future variations, adaptations you make to the pattern, supplies you use and anything else you would like to.